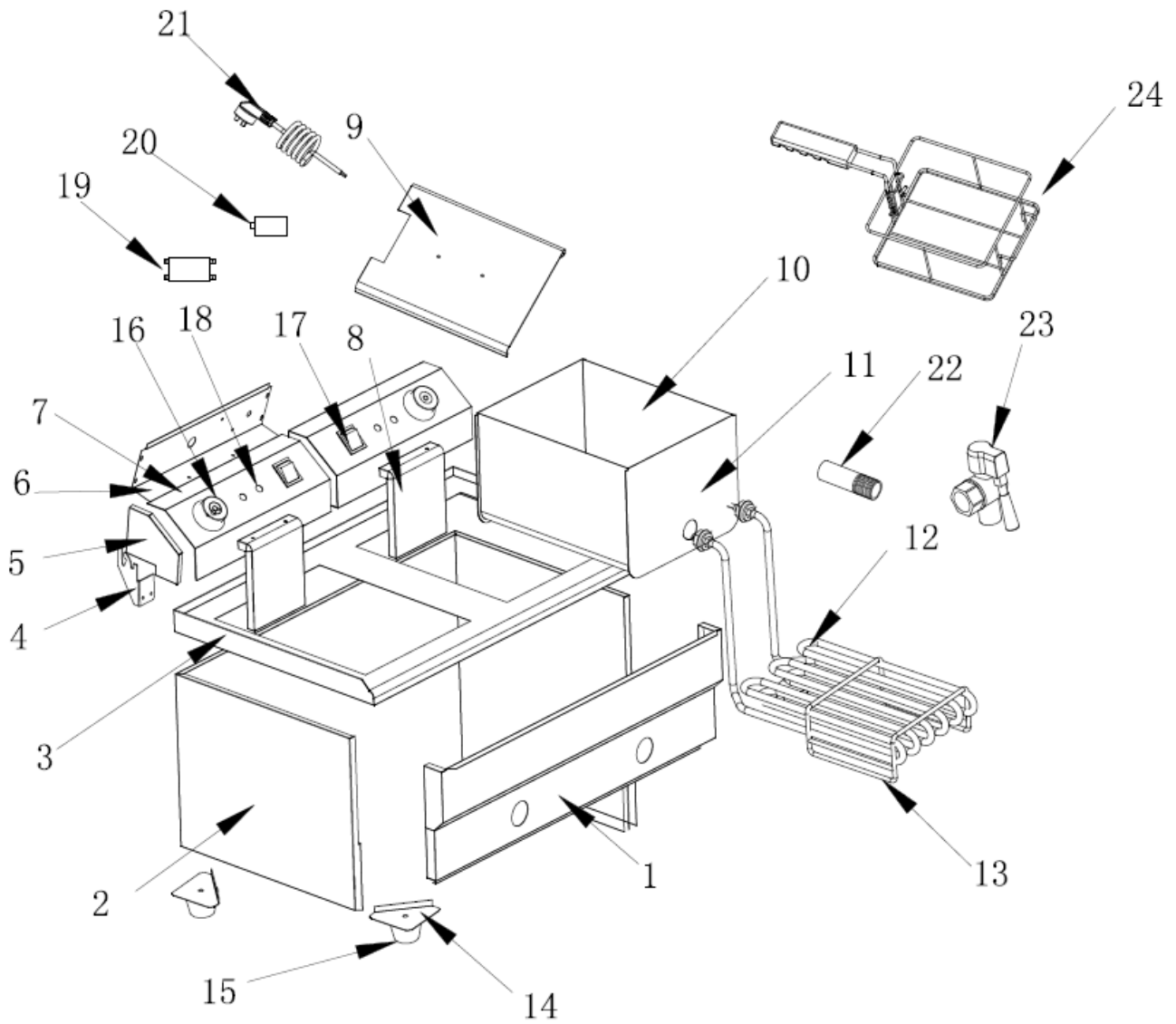


ФРИТЮРНИЦА HURAKAN HKN-FT1616N



ФРИТЮРНИЦА HURAKAN HKN-FT1616N

| Поз | Наименование детали |
|-----|-----------------------------------|
| 1 | Front panel |
| 2 | Frame |
| 3 | Top panel |
| 4 | Shaft support plate |
| 5 | Electrical box side panel |
| 6 | Electrical box rear panel |
| 7 | Electrical box front panel |
| 8 | Protect board for heating element |
| 9 | Cover |
| 10 | Oil pot |
| 11 | Oil pot front panel |
| 12 | Heating element |
| 13 | Heating element bracket |
| 14 | Fixtor for feed |
| 15 | Feet |
| 16 | Thermostat knob |
| 17 | Switch |
| 18 | Indicator light |
| 19 | Relay |
| 20 | Microswitch |
| 21 | Power cord |
| 22 | Outlet pipe |
| 23 | Drain valve |
| 24 | Frying basket |